
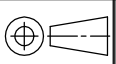
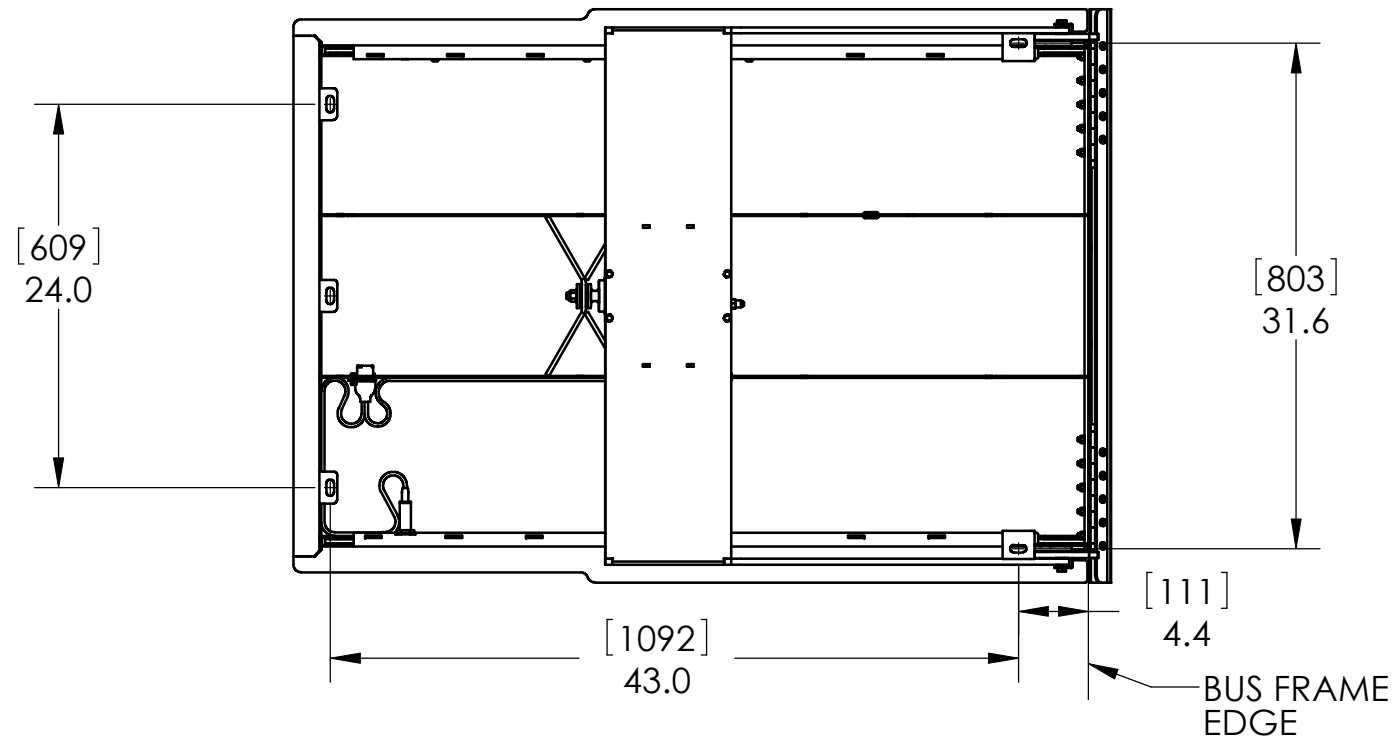



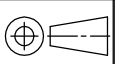
NOTES:

1) RAMP SHOWN WITHOUT FLOORING

DIMENSIONS IN INCHES		 <small>ALL INFORMATION SHOWN ON CALMO INC DRAWINGS IS CONFIDENTIAL AND REMAINS THE PROPERTY OF CALMO INC. REPRODUCTION, DISTRIBUTION OR UTILISATION OF THIS DRAWING IS STRICTLY FORBIDDEN WITHOUT THE WRITTEN CONSENT OF CALMO INC.</small>	
TOLERANCES		PROJECT	
FRACTIONS ± 1/32		7287	
DECIMALS		ASS.	
.000 ± .005	1:6 FLIP RAMP		
.00 ± .015	TITLE		
ANGLES ± 1°	GENERAL		
HOLES $\phi \pm .002$	# DRAWING	REV.	PAGE
 SCALE 1:12	7287-GENERAL	2	1/2
FORMAT B	DRW.: MM ON: 25AUG10	VER.:	ON:



ANCHOR POINTS

DIMENSIONS IN INCHES		 <small>ALL INFORMATION SHOWN ON CALMO INC DRAWINGS IS CONFIDENTIAL AND REMAINS THE PROPERTY OF CALMO INC. REPRODUCTION, DISTRIBUTION OR UTILISATION OF THIS DRAWING IS STRICTLY FORBIDDEN WITHOUT THE WRITTEN CONSENT OF CALMO INC</small>	
TOLERANCES		PROJECT	
FRACTIONS ± 1/32		7287	
DECIMALS		ASS.	
.000 ± .005	1:6 FLIP RAMP		
.00 ± .015	TITLE		
ANGLES ± 1°	GENERAL		
HOLES $\phi \pm .002$	# DRAWING	REV.	PAGE
SCALE	7287-GENERAL	2	2/2
 SCALE 1:12	FORMAT B	DRW.: ON:	VER.: ON: